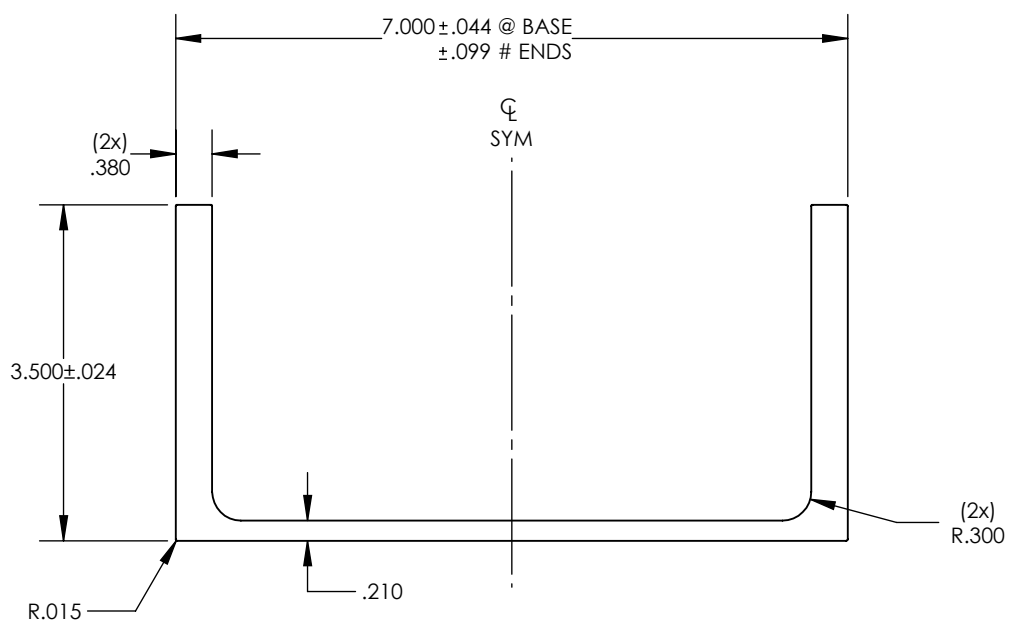


NOTE: BREAK ALL CORNERS WITH 0.015" (0.38 MM) RADIUS UNLESS OTHERWISE NOTED. STANDARD TOLERANCES TO APPLY UNLESS OTHERWISE SPECIFIED.

CUSTOMER PART No.	CUSTOMER WOLVERINE STD	WLV DIE No. WS11725	REV No. 0
DESCRIPTION 7 x 3.5 x .380/.210 AA CHANNEL		QUOTE No. 23-1559-1	PROPOSAL No. S-18960



WALL THICKNESS AS SHOWN

DATE	REV	DESCRIPTION	BY
EST. AREA	4.009	IN. ²	EST. AREA 2586.446
EST. WT.	4.692	LBS/FT.	EST. WT. 6.982
EST. PER.	27.284	IN.	EST. PER. 693.014
OUT PER.		IN.	OUT PER.
C.C.D.	7.816	IN.	C.C.D. 198.526
FACTOR 6	FINISH M/F	ALLOY & TEMP.	6061-T6
CKD BY	SCALE 1:2	DWN BY	B.A. DATE 10/18/23

WOLVERINE

2100 MARKET STREET
DECATUR, AL 35816
800-633-3972

THIS DRAWING IS NOT NECESSARILY A COPY OF YOUR ORIGINAL. PLEASE APPROVE DIMENSIONS AND TOLERANCES INDICATED. WOLVERINE ASSUMES NO RESPONSIBILITY EITHER TECHNICAL OR LEGAL FOR HAVING THIS SHAPE MADE. THE CUSTOMER AGREES TO FULLY PROTECT WOLVERINE FROM CLAIMS OF OTHERS RESULTING FROM THIS SHAPE.

SIGNED: _____ DATE: _____

PRINT NAME: _____