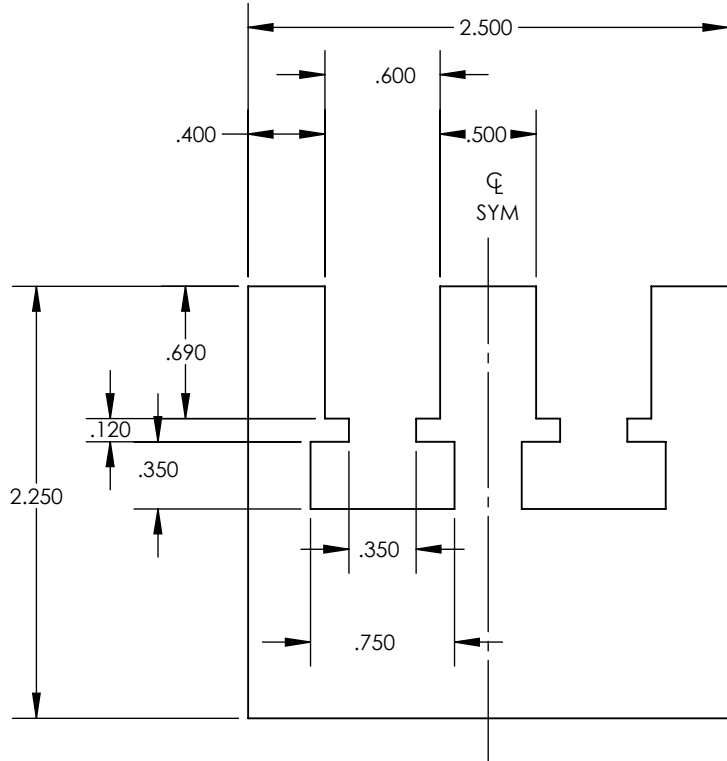


NOTE: BREAK ALL CORNERS WITH 0.015" (0.38 MM) RADIUS UNLESS OTHERWISE NOTED. STANDARD TOLERANCES TO APPLY UNLESS OTHERWISE SPECIFIED.

CUSTOMER PART No.	CUSTOMER <b>WOLVERINE OPEN SHAPE</b>	WLV DIE No. <b>WS10246</b>	REV No. <b>0</b>
DESCRIPTION		QUOTE No. 18-1165-1	PROPOSAL No. S-10474



WALL THICKNESS AS SHOWN

DATE	REV	DESCRIPTION	BY
EST. AREA	4.188	IN. <sup>2</sup>	EST. AREA 2701.930
EST. WT.	4.902	LBS/FT.	EST. WT. 7.295
EST. PER.	15.740	IN.	EST. PER. 399.796
OUT PER.		IN.	OUT PER.
C.C.D.	3.363	IN.	C.C.D. 85.420
FACTOR 3.5	FINISH M/F		ALLOY & TEMP. 6005A
CKD BY	SCALE 1:1	DWN BY <b>B.A.</b>	DATE 7/25/18

**WOLVERINE**

2100 MARKET STREET  
DECATUR, AL 35816  
800-633-3972

THIS DRAWING IS NOT NECESSARILY A COPY OF YOUR ORIGINAL. PLEASE APPROVE DIMENSIONS AND TOLERANCES INDICATED. WOLVERINE ASSUMES NO RESPONSIBILITY EITHER TECHNICAL OR LEGAL FOR HAVING THIS SHAPE MADE. THE CUSTOMER AGREES TO FULLY PROTECT WOLVERINE FROM CLAIMS OF OTHERS RESULTING FROM THIS SHAPE.

SIGNED: \_\_\_\_\_ DATE: \_\_\_\_\_  
PRINT NAME: \_\_\_\_\_